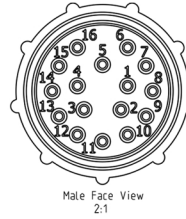
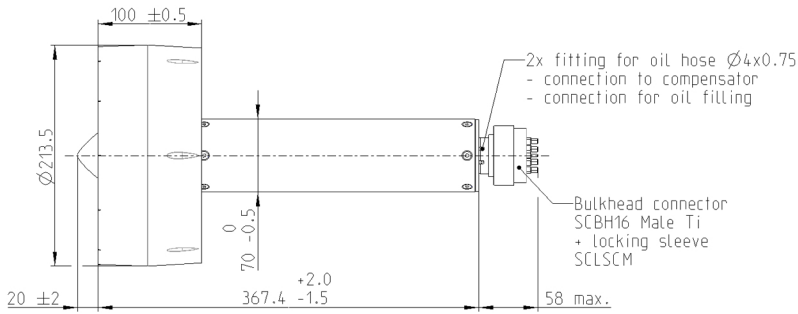


maxon thruster 70

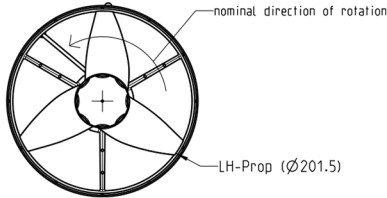
Specification: 534851
aquaticsolutions.maxongroup.com

Contact us: aquaticsolutions@maxonmotor.com

maxon thruster 70 670 Watt



Connections	
Winding 1	6, 10, 14
Winding 2	7, 11, 15
Winding 3	8, 12, 16
Hall 1	5
Hall 2	9
Hall 3	13
GND	1
V Hall 3... 24 VDC	4
Temperature Sensor PTC	2
Temperature Sensor PTC	3



Article number

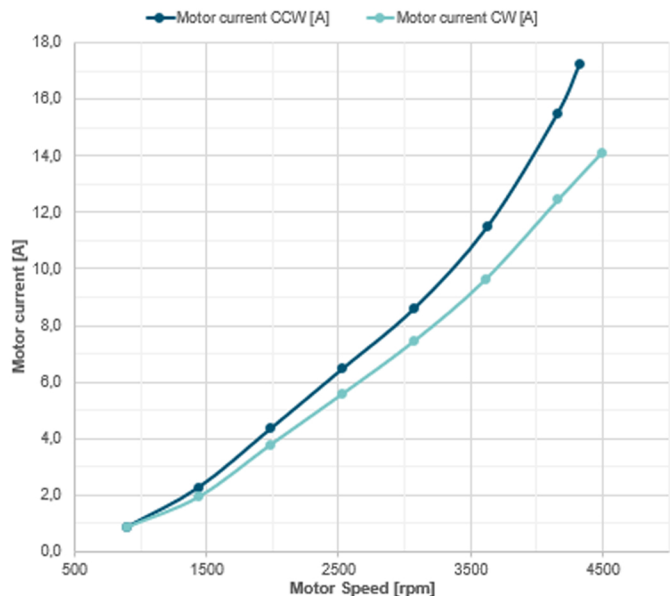
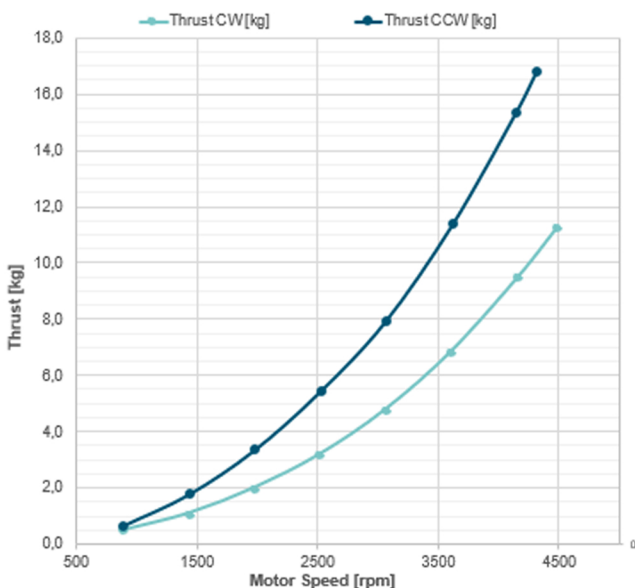
	Single	with MC70
Left hand propeller direction MT70 LH	534851	606339
Right hand propeller direction MT70 RH	619665	619677

Thruster specification

1 Weight in air	gr	4.361
2 Weight in water (salt water)	gr	2.830
3 Prop diameter	mm	200
4 Number of blades	pcs	3
5 Depth rating	m	6.000
7 Pressure compensation (over pressure)	bar	0.1- 0.7
8 Continuous forward bollard thrust	kg	16.80
9 Continuous reverse bollard thrust	kg	11.20
10 Max. efficiency	%	80
11 Connector (basic version)		SCBH16 Male ti
12 Nominal Voltage	V	48
13 Max. current	A	17.6
14 No load current @ 5000 rpm motor	A	1
15 Max. stall current	A	139
16 Continuous current	A	17
17 Max. motor temperature	°C	110
18 Continuous motor temperature	°C	70

Bollard thrust

Motor Current



CCW = Counterclockwise (forward)
CW = Clockwise (reverse)